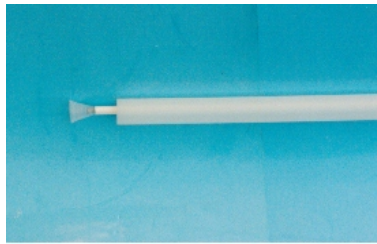


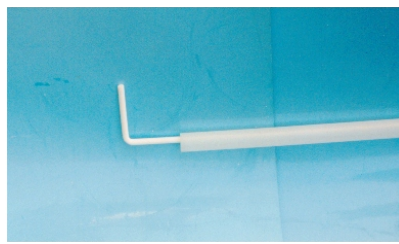
Coliwasa

Operation:

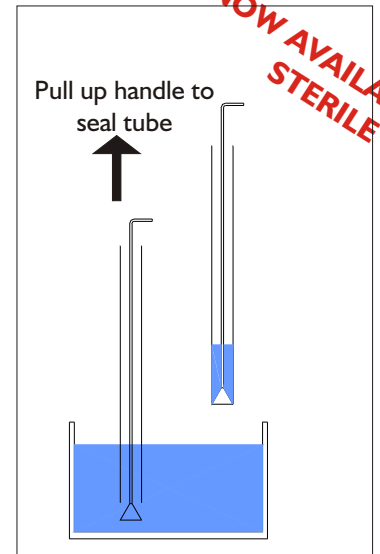
- Insert sampler into the product.
- At the required depth push down the handle to unplug the end of the tube allowing the liquid to enter the sampler.
- Pull up handle to re-plug the tube.
- Remove



Tip of Coliwasa



Handle to operate plug at end of sampler



| Part No. | Material | Sterile | Length | Diameter |
|-----------|----------|---------|--------|----------|
| 5050A-24 | HDPE | No | 1066mm | 12mm |
| 5050A-24S | HDPE | Yes | 1066mm | 12mm |

*24 samplers per case

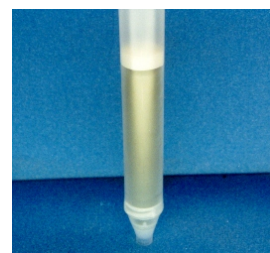
Disposable Bailer

The sampler can either be manually pushed into the liquid being sampled or else it can be lowered on the end of a wire. Ideal for sampling from storage silos or well sampling.

For viscous materials use the bailer fitted with an end weight (Part No. 5040A-24W)



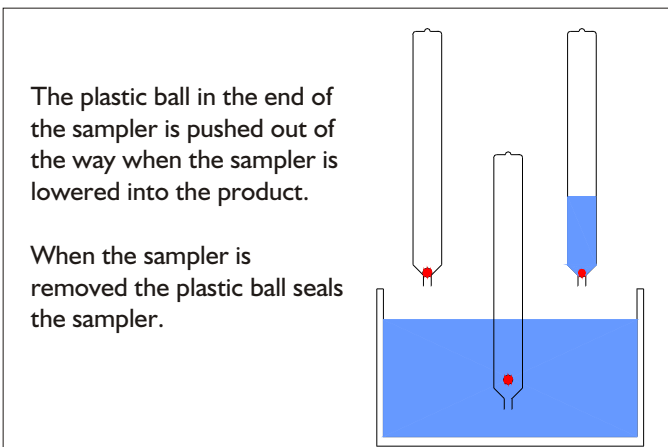
Standard Bailer without end weight



Weighted end



Top End for wire attachment



| Part No. | Material | Weighted End | Length | Diameter |
|-----------|----------|--------------|--------|----------|
| 5040A-24 | HDPE | No | 950mm | 40mm |
| 5040A-24W | HDPE | Yes | 950mm | 40mm |

* 24 bailers per case

Why should I use a disposable sampler?

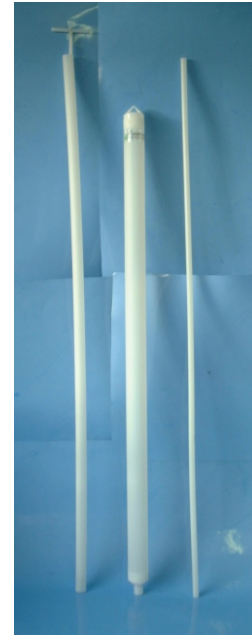
When you take a sample you need to be sure that there is no carry-over from the previous time the sampler was used. Therefore at Sampling Systems we design and construct our samplers to be as easy to clean as possible, however there is another way to proceed; single-use, disposable samplers.

Single-use, disposable samplers have the following advantages are:

1. There is no risk of product **carry-over** from one sample to the next
2. Time spent **cleaning** and validating the cleaning of samplers is eliminated
3. Some designs are available **pre-sterilised**

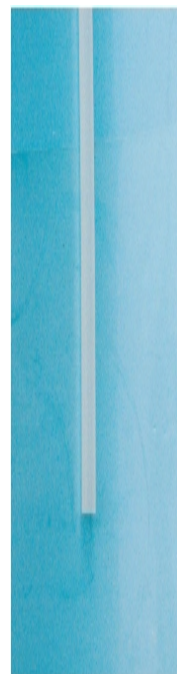
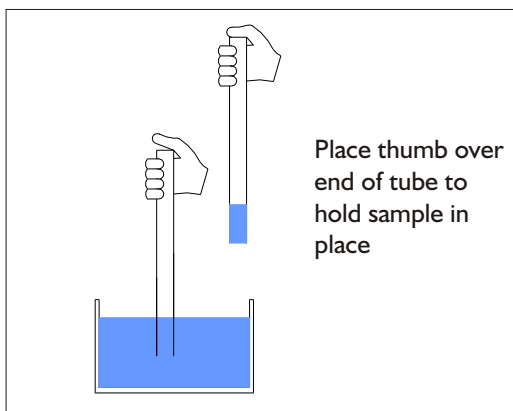
Sterilisation

- Sterilisation is by Gamma Irradiation
- All samplers are individually bagged prior to being irradiated



Thumb Tubes

- Suitable for all liquids.
- Insert sampler into the liquid. Cover end of tube with thumb. Withdraw sampler. Uncover end of tube to release the sample.
- Low cost and simple to use.



Simple Operation - Put thumb over end of Thumb Tube



| Part No. | Material | Sterile | Length | Diameter |
|-----------|----------|---------|--------|----------|
| 5055 A-50 | HDPE | No | 1000mm | 12mm |
| 5055A-50S | HDPE | Yes | 1000mm | 12mm |
| 5055B-50 | Glass | No | 1000mm | 12mm |
| 5055B-50S | Glass | Yes** | 1000mm | 12mm |

* 50 Thumb Tubes per case

** Please check delivery for this item