

**No Cleaning — No Cross Contamination — Reduce Costs**

# Powder Spatulas

Easy to use spatulas - made in a cleanroom

**New**



- Made from white Polystyrene (FDA grade - conforms to CFR 177.1640)
- Tough, efficient 'U' shaped blade
- Individually wrapped
- Manufactured and packed in a medical cleanroom (Class 100,000) to ensure cleanliness
- Range of sizes
- Available pre-sterilised and non sterile
- Smooth ergonomic round handle



Part No.	Blade Length	Overall Length	Pre-Sterilised	Quantity per Box
8095A-150	150mm	230mm	No	100
8095A-250	250mm	330mm	No	100
8095A-150S	150mm	230mm	Yes	100
8095A-250S	250mm	330mm	Yes	100

# The Powder Lock System

**New**

The perfect combination for efficient surface sampling



- Powder Spatula complete with a quick connect Container
- Specially designed container to eliminate messy powder transfers from sampler to bottle
- Made from white Polystyrene (FDA grade - conforms to CFR 177.1640)
- Individually wrapped
- Manufactured and packed in a medical cleanroom (Class 100,000)
- Range of sizes
- Available pre-sterilised and non sterile
- Smooth ergonomic rounded handle
- Container is designed for easy, controlled powder discharge



Easily controlled powder discharge

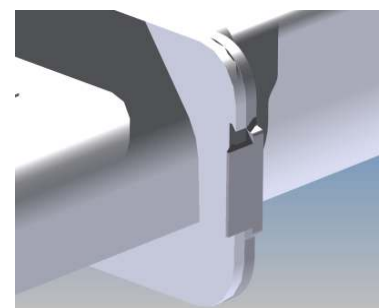
Part No.	Blade Length	Overall Length	Pre-Sterilised	Quantity per Box
8097A-150	150mm	230mm	No	100
8097A-250	250mm	330mm	No	100
8097A-150S	150mm	230mm	Yes	100
8097A-250S	250mm	330mm	Yes	100



Powder Spatula & Container



Powder Spatula locked inside the container



Quick Clip for fast and secure connection - easy to undo when wearing gloves