

Powder Lance

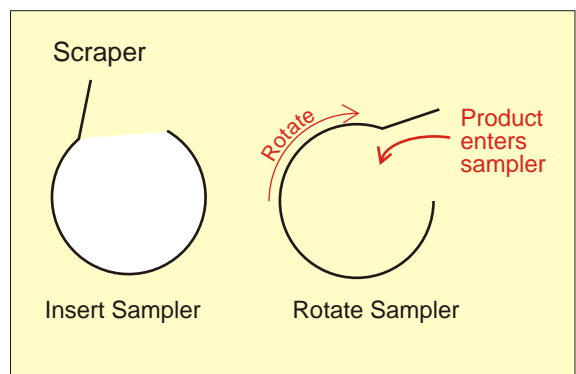
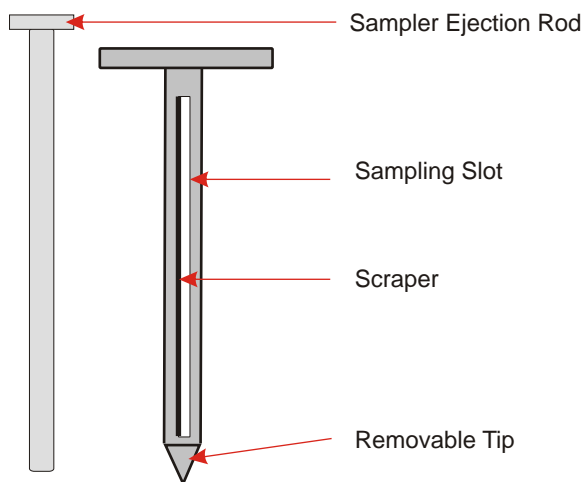
Cross Sectional Sampler for Cohesive Powders

The Powder Lance can be used to take large volume samples of cohesive powders. The sampler can be used horizontally through a sack or else it can be used vertically.

Type: Cross sectional sampler

Material: 316 stainless steel

- Operation:
1. Insert the sampler into the product.
 2. Rotate the sampler through 360°. The Scraper forces the powder in to the sampler along the length of the slot.
 3. Remove the sampler.
 4. Unscrew the tip of the sampler.
 5. Push the Sample Ejection Rod into the Powder Lance to push out the sample



Part No.	Overall Sampler Length	Length of Sampling Slot	Max Sample Volume
2250A-600	600mm	500mm	110ml
2250A-1000	1000mm	900mm	190ml
2250R-700	Sample Ejection Rod - 316 stainless steel - 700mm length		
2250R-1100	Sample Ejection Rod - 316 stainless steel - 1100mm length		
8001A-1100	Cleaning Brush - 1100mm length		
8505A-01	Standard Sampler Case - see page 78 for other cases		
LUG-1	Earthing lug - see page 75 for details		

Disposable Powder Lance

Cross Sectional Sampler - No Cleaning Required

New

The Disposable Powder Lance is ideal for taking a cross sectional sample from within a bulk powder.

Suitability: • Cohesive and some free-flowing powders

Features: • Cross sectional sample
• Max Sample Volume: 170ml (approx.)
• Individually wrapped
• Assembled in a medical cleanroom
• Made from HDPE (FDA acceptable grade - conforms to CFR 177.1520)

Options: • Pre-sterilised

Operation

The Disposable Powder Lance is quick and easy to use:

1. Push the Disposable Powder Lance into the product and then withdraw
2. Then deposit the sample into a suitable container
3. Place the used sampler into its plastic bag



Part No.	Pre-Sterilised	Blade Length	Overall Length	Nominal Sample Volume	Material	Overall Diameter	Quantity per Box
8063H-500	No	500mm	620mm	100ml	HDPE	22mm	20
8063H-500S	Yes	500mm	620mm	100ml	HDPE	22mm	20
8063H-1000	No	830mm	950mm	170ml	HDPE	22mm	20
8063H-1000S	Yes	830mm	950mm	170ml	HDPE	22mm	20

Pharma-Labels

High quality labels with an FDA acceptable adhesive (CFR 175.105)

Medium Strength Adhesive

Range of Colours

Custom Designs on Request

See Page 82 for details

